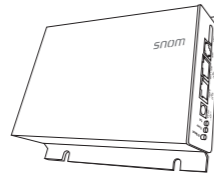
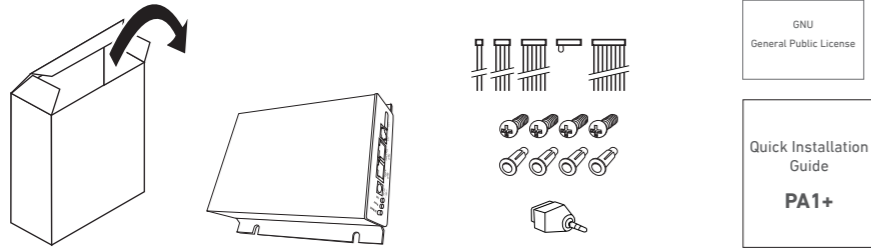


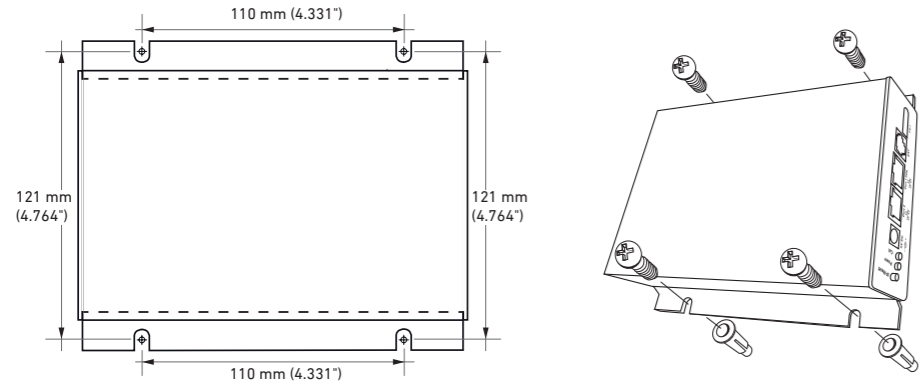
Quick Installation Guide
PA1+
 Public Address System



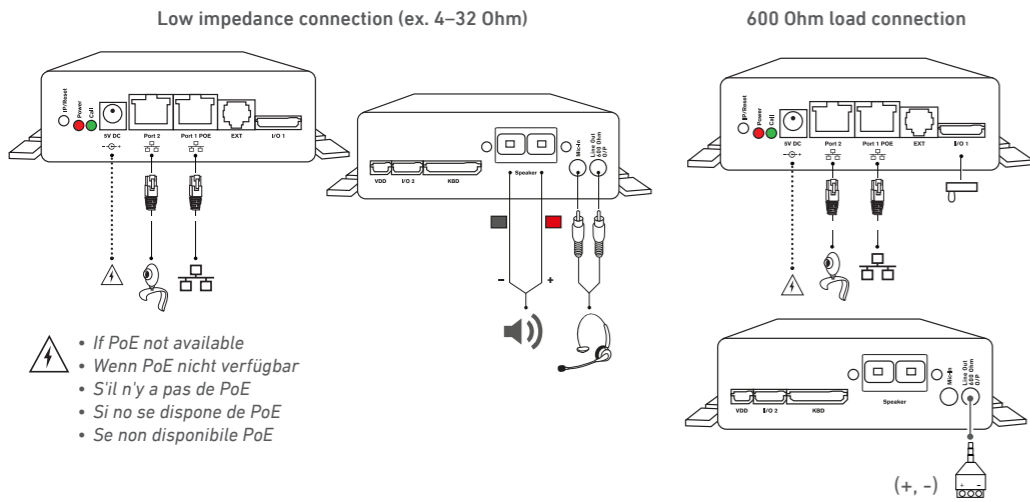
A Delivery content · Lieferumfang · Contenu de la boîte · En la caja · Contenuto della confezione



B Wall mounting · Wandbefestigung · Fixation murale · Montaje en pared · Montaggio al parete



C Connecting · Anschließen · Connector · Conectar · Collegare



Snom Technology GmbH
 Arosler Allee 66
 13407 Berlin, Deutschland
 office.de@snom.com

Snom Technology GmbH
 130, avenue Joseph Kessel
 78960 Voisins-le-Bretonneux
 France
 office.fr@snom.com

Snom Technology GmbH
 The Courtyard
 High Street
 Ascot, Berkshire SL5 7HP, UK
 office.uk@snom.com

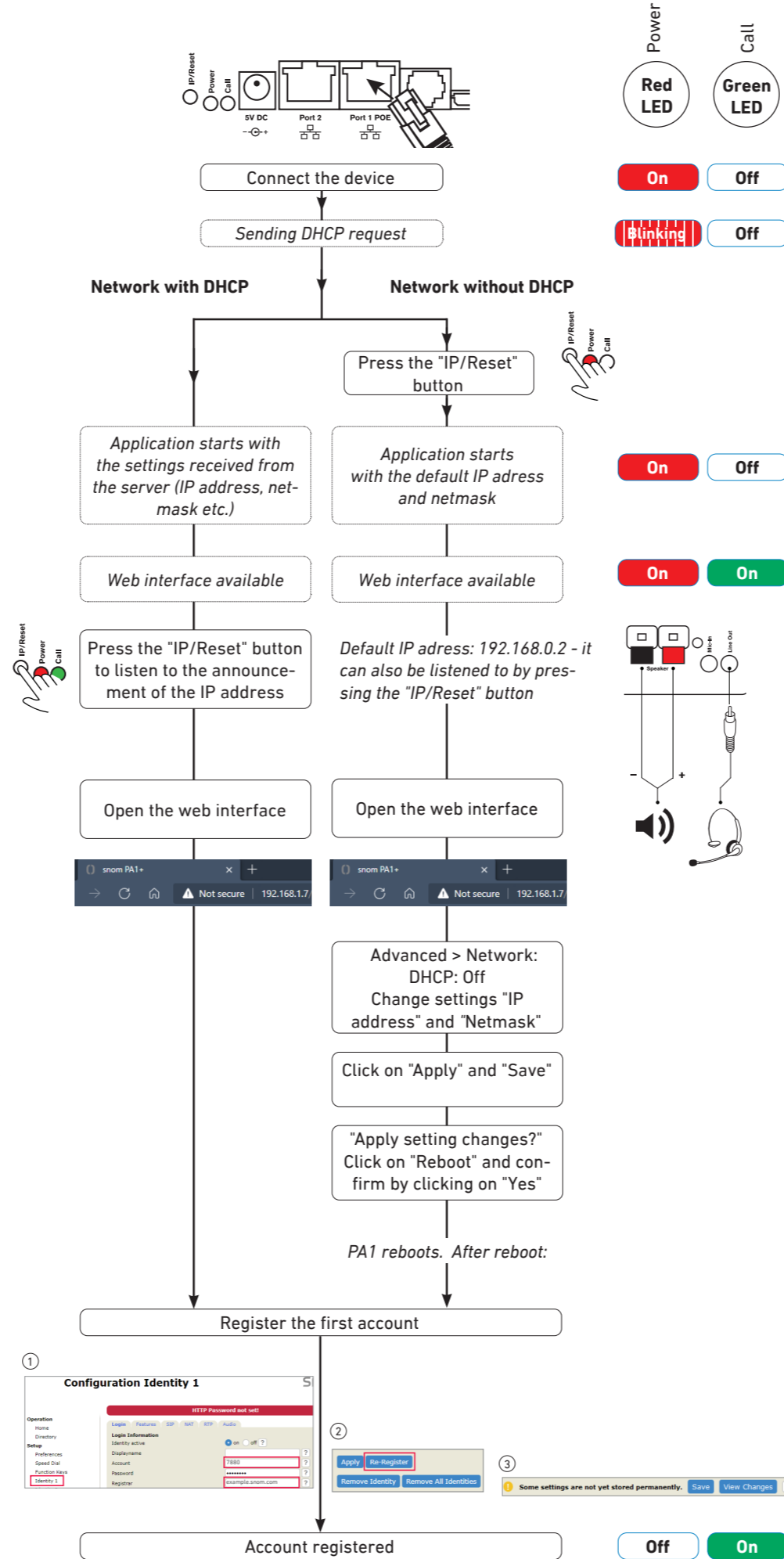
Snom Technology GmbH
 Via Milano 1
 20020 Lainate, Italia
 office.it@snom.com

VTech Communications Inc.
 Snom Americas
 9020 Washington Square Road,
 Suite 555
 Tigard, OR 97223
 Phone support: (339) 227 6160

VTech Technologies Canada Ltd.
 Suite 222
 13888 Wireless Way
 Richmond, B.C. V6V 0A3, Canada
 Phone support: (339) 227 6160

Manufacturer:
 VTech Telecommunications Ltd.
 23/F., Tai Ping Industrial Centre,
 Block 1,
 57 Ting Kok Road, Tai Po
 HONG KONG

D Initializing · Initialisierung · Initialisation · Inizializzare · Inicializar



Power
 Red LED: On (solid red), Blinking (red with vertical lines), Off (white)

Call
 Green LED: Off (white), On (solid green)

ENGLISH

Copyright, Trademarks, Legal Disclaimers

© 2023 Snom Technology GmbH. All Rights Reserved. Snom, the names of Snom products, and Snom logos are trademarks owned by Snom Technology GmbH.

All product specifications are subject to change without notification. Snom Technology GmbH reserves the right to revise and change this document at any time, without being obliged to announce such revisions or changes beforehand or after the fact.

Although due care has been taken in the compilation and presentation of the information in this document, the data upon which it is based may have changed in the meantime. Snom therefore disclaims all warranties and liability for the accurateness, completeness, and currentness of the information published, except in the case of intention or gross negligence on the part of Snom or where liability arises due to binding legal provisions.

Important Information
 Please read the instructions on safety and disposal and on how to set up and use the device before using it and also give them to other users to read or inform those users of their contents.

The nameplate is located at the bottom or rear of the product.

Safety Instructions

- Warning:** The product included (ITE) in this manual is to be connected only to PoE networks without routing to the outside plant.
- The socket outlet for the power adaptor must be near the equipment and easily accessible.
- Mount the device only at heights not exceeding 2m.
- If the device is not supplied with power via the Ethernet cable, use only a power adapter expressly recommended by Snom. Other power supplies may damage or destroy the device, affect its behavior, or induce noise.
- Avoid placing the cables where people may trip over them or where they may be exposed to mechanical pressure as this may damage them.
- This device is for indoor use only! NOT FOR OUT-DOOR USE!
- Do not install the device in rooms with high humidity (for example, in bathrooms, laundry rooms, damp basements). Do not immerse the device in water and do not spill or pour liquids of any kind onto or into the device.
- Do not install the device in surroundings at risk for explosions (paint shops, for example). Do not use the device if you smell gas or other potentially explosive fumes.
- Do not use the device during thunderstorms. Lightning striking the power grid may cause electric shocks.

SELV (Safety Extra Low Voltage) Compliance

Safety status of input/output connections comply with SELV requirements.
Warning: To avoid electric shock, do not connect safety extra-low voltage (SELV) circuits to teledevice-network voltage (TNV) circuits. LAN ports contain SELV circuits, and PSTN ports contain TNV circuits. Some LAN and PSTN ports both use RJ-45 (8P8C) connectors. Use caution when connecting cables.

Standards conformance

This device complies with the essential health, safety, and environmental requirements of all relevant European directives and UK legislation. The declaration of conformity can be downloaded at <https://www.snom.com/conformity>.

Important additional information for the USA

FCC part 15
 This device complies with Part 15 of the FCC rules. Operation is subject to the following two conditions: (1) This device may not cause harmful interference, and (2) this device must accept any interference received, including interference that may cause undesired operation.

This equipment has been tested and found to comply with the limits for a Class A digital device, pursuant to Part 15 of the FCC Rules. These limits are designed to provide reasonable protection against harmful interference when the equipment is operated in a commercial environment. This equipment generates, uses, and

can radiate radio frequency energy and, if not installed and used in accordance with the instruction manual, may cause harmful interference to radio communications. Operation of this equipment in a residential area is likely to cause harmful interference in which case the user will be required to correct the interference at the user's expense.

WARNING: Changes or modifications to this equipment not expressly approved by the party responsible for compliance could void the user's authority to operate the equipment.

Unauthorized opening, changing, or modifying the device will cause the warranty to lapse and may also result in the loss of CE conformity and FCC compliance. In case of malfunction contact authorized service personnel, your seller, or Snom.

- Safety:** IEC 62368-1
- Connectors:**
 - 2 x RJ45 (Ethernet): 1 x LAN/PoE, 1 x PC, camera, etc.
 - 1 x 5V DC coaxial power connector
 - 2 push-on speaker connectors
 - 2 x 3.5 mm headset connectors (mic in/line out) for installation and maintenance purposes only
 - 4 I/O pin ports for controlling connected devices via web interface or DTMF
- Amplifier:** Class D, 6.5W (loudspeaker not included)
- Ethernet:** 2 x IEEE 802.3, 1 Gigabit switch
- Power over Ethernet (PoE):** IEEE 802.3af, Class 3
- Power:** PoE or, if PoE not available, a separately available power adapter (not included):
 - EU, UK: Mass Power, model NBS12E050200UV, Snom PN 00004570
 - U.S.A., Canada: VTPL, model VT07EUS05200

Disposal of the device

This device is subject to European Directive 2012/19/EU and may not be disposed of with general household garbage. If you do not know where to dispose of the device at the end of its lifespan, contact your municipality, local waste management provider, or vendor.

Cleaning

To clean the device, use an anti-static cloth. Please avoid cleaning liquids as they might damage the surface or internal electronics of the device.

Wall mounting

Note: The Ethernet cable must not be bent to avoid damage and loss of the network connection. We recommend that you place the PA1+ so that the PoE connector is facing toward the LAN port in your network.

- Use the measurements in Fig. B to mark the positions of the four holes in the wall.
- Drill the holes and insert the expansion anchors in the holes.
- Place the PA1+ on the wall with the cut-outs above the anchors.
- Place the screws in the anchors and tighten them evenly.

Connecting the device: See Fig. C.

Initializing: See Fig. D.

For more information see <https://service.snom.com>.

DEUTSCH

Copyright, Markenrechte, Haftungsausschluss

© 2023 Snom Technology GmbH. Alle Rechte vorbehalten.

Snom sowie die Namen der Snom-Produkte und die Snom-Logos sind gesetzlich geschützte Marken der Snom Technology GmbH.

Produktspezifikationen können ohne Vorankündigung geändert werden. Snom Technology GmbH behält sich jederzeit das Recht auf Überarbeitung und Änderung dieses Dokumentes vor, ohne verpflichtet zu sein, die vorgenommenen Änderungen anzukündigen oder mitzuteilen.

Trotz der angewandten Sorgfalt bei der Zusammenstellung und Präsentation der Informationen in diesem Dokument können sich Daten zwischenzeitlich geändert haben. Daher übernimmt Snom keine Gewähr für

