

Snom Analogue Hospitality Series

HD350A

Analogue Corded Guestroom Phone

SNOM

User Manual

IMPORTANT SAFETY INSTRUCTIONS

The applied nameplate is located at the bottom or rear of the product.

When using your telephone equipment, basic safety precautions should always be followed to reduce the risk of fire, electric shock and injury, including the following:

1. This product should be installed by a qualified technician.
2. Read and understand all instructions.
3. Follow all warnings and instructions marked on the product.
4. Unplug this product from the wall outlet before cleaning. Do not use liquid or aerosol cleaners. Use a damp cloth for cleaning.
5. Do not use this product near water such as near a bath tub, wash bowl, kitchen sink, laundry tub or swimming pool, or in a wet basement or shower.
6. Do not place this product on an unstable table, shelf, stand or other unstable surfaces.
7. Slots and openings in the back or bottom of the telephone base and handset are provided for ventilation. To protect them from overheating, these openings must not be blocked by placing the product on a soft surface such as a bed, sofa or rug. This product should never be placed near or over a radiator or heat register. This product should not be placed in any area where proper ventilation is not provided.
8. This product should be operated only from the type of power source indicated on the marking label. If you are not sure of the type of power supplied at the premises, consult your dealer or local power company.
9. Do not allow anything to rest on the power cord. Do not install this product where the cord may be walked on.
10. Never push objects of any kind into this product through the slots in the telephone base or handset because they may touch dangerous voltage points or create a short circuit. Never spill liquid of any kind on the product.
11. To reduce the risk of electric shock, do not disassemble this product, but take it to an authorized service facility. Opening or removing parts of the base station or handset other than specified access doors may expose you to dangerous voltages or other risks. Incorrect reassembling can cause electric shock when the product is subsequently used.
12. Do not overload wall outlets and extension cords.
13. Unplug this product from the wall outlet and refer servicing to an authorized service facility under the following conditions:
 - When the power supply cord or plug is damaged or frayed.
 - If liquid has been spilled onto the product.
 - If the product has been exposed to rain or water.
 - If the product does not operate normally by following the operating instructions. Adjust only those controls that are covered by the operation instructions. Improper adjustment of other controls may result in damage and often requires extensive work by an authorized technician to restore the product to normal operation.
 - If the product has been dropped and the telephone base and/or handset has been damaged.
 - If the product exhibits a distinct change in performance.
14. Avoid using a telephone (other than cordless) during an electrical storm. There is a remote risk of electric shock from lightning.
15. Do not use the telephone to report a gas leak in the vicinity of the leak. Under certain circumstances, a spark may be created

when the adapter is plugged into the power outlet, or when the handset is replaced in its cradle. This is a common event associated with the closing of any electrical circuit. The user should not plug the phone into a power outlet, and should not put a charged handset into the cradle, if the phone is located in an environment containing concentrations of flammable or flame-supporting gases, unless there is adequate ventilation. A spark in such an environment could create a fire or explosion. Such environments might include: medical use of oxygen without adequate ventilation; industrial gases (cleaning solvents; gasoline vapors; etc.); a leak of natural gas; etc.

16. Only put the handset of your telephone next to your ear when it is in normal talk mode.
17. The power adapters are intended to be correctly oriented in a vertical or floor mount position. The prongs are not designed to hold the plug in place if it is plugged into a ceiling, under-the-table or cabinet outlet.
18. Use only the power cord and batteries indicated in this manual. Do not dispose of batteries in a fire. They may explode. Check with local codes for possible special disposal instructions.
19. In wall mounting position, make sure to mount the telephone base on the wall by aligning the eyelets with the mounting studs of the wall plate. Then slide the telephone base down on both mounting studs until it locks into place. Refer to the full instructions in Installation in the user's manual.
20. This product should be mounted at a height of less than 2 meters.

   CAUTIONS

- Keep small metallic objects such as pins and staples away from the handset receiver.

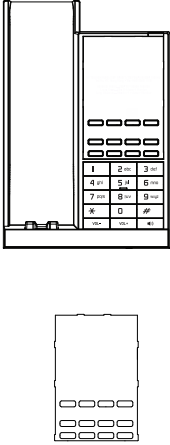
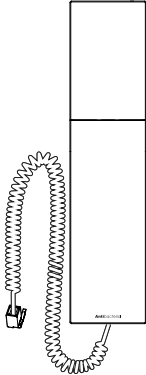
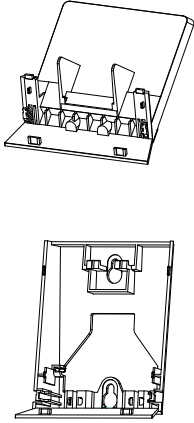
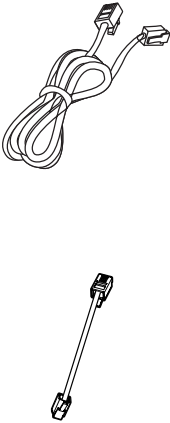
SAVE THESE INSTRUCTIONS

TABLE OF CONTENTS

Important safety instructions.....	2
Parts checklist.....	5
Telephone layout	6
Installation.....	8
Installation option - installing base stand for desktop	8
Installation option - converting from desktop to wall mount position.....	9
Replacing coiled handset cord	11
Set up	12
Operation.....	15
Receive a call	15
Place a call	15
End a call.....	15
Speed dial.....	15
Volume.....	15
Mute.....	15
Hold	15
Speakerphone	15
Message waiting indicator	15
Play messages.....	15
Appendix	16
Troubleshooting.....	16
VTech Hospitality Limited Warranty Program	19
Maintenance.....	21
Disclaimer and Limitation of Liability.....	21
European Directives	21
Declaration of Conformity	21
Disposal of batteries and product.....	22
Technical specifications	23
Index	24

Parts checklist

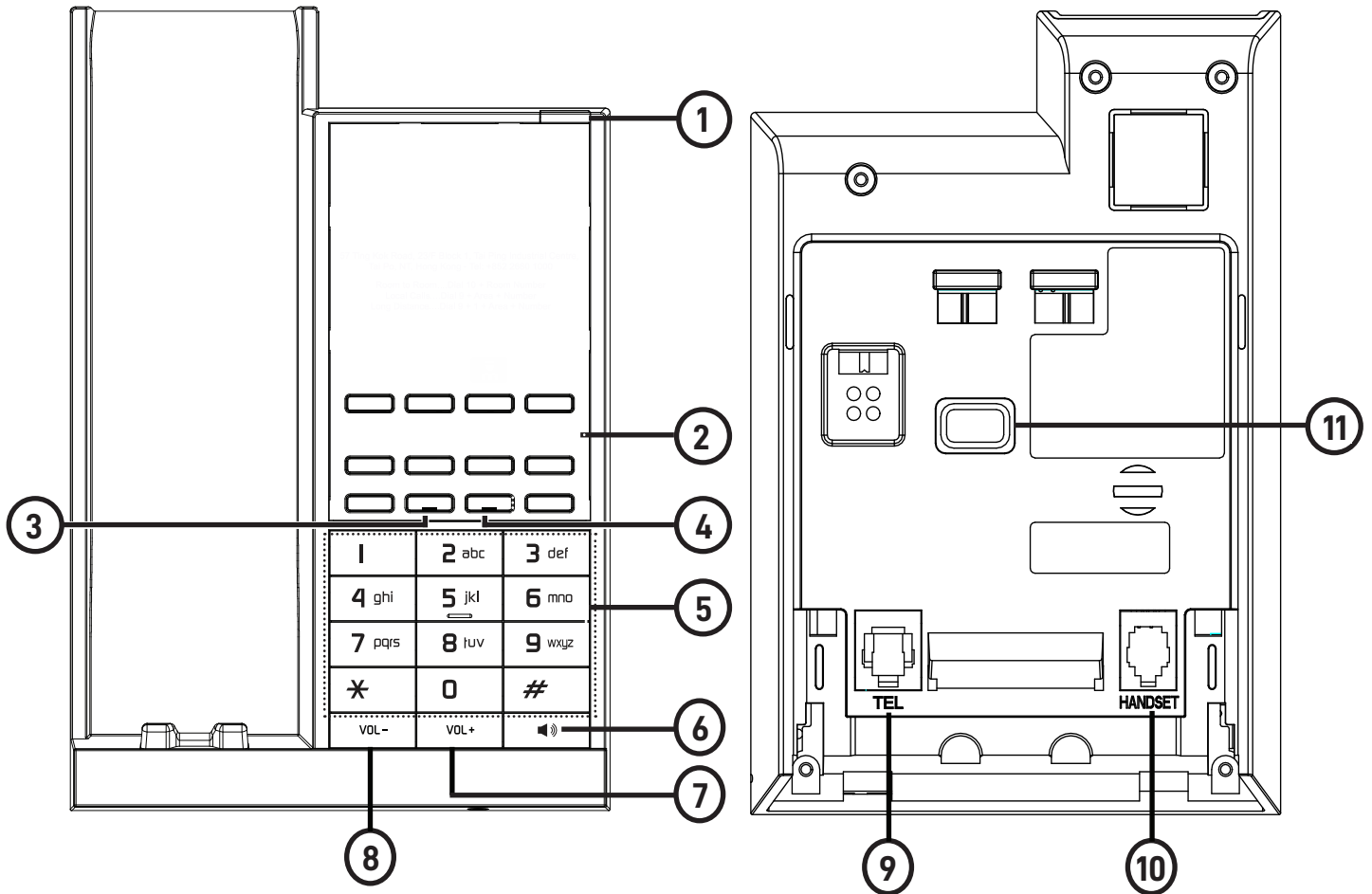
Items contained in the telephone package:

MODEL NAME	MODEL NUMBER	PARTS INCLUDED			
		TELEPHONE BASE WITH OVERLAY	CORDED HANDSET	BASE STAND WALL MOUNT BRACKET	TELEPHONE LINE CORD
Analogue Coded Guestroom Phone	HD350A				

Telephone layout

Analogue Corded Guestroom Phone - HD350A

TELEPHONE BASE

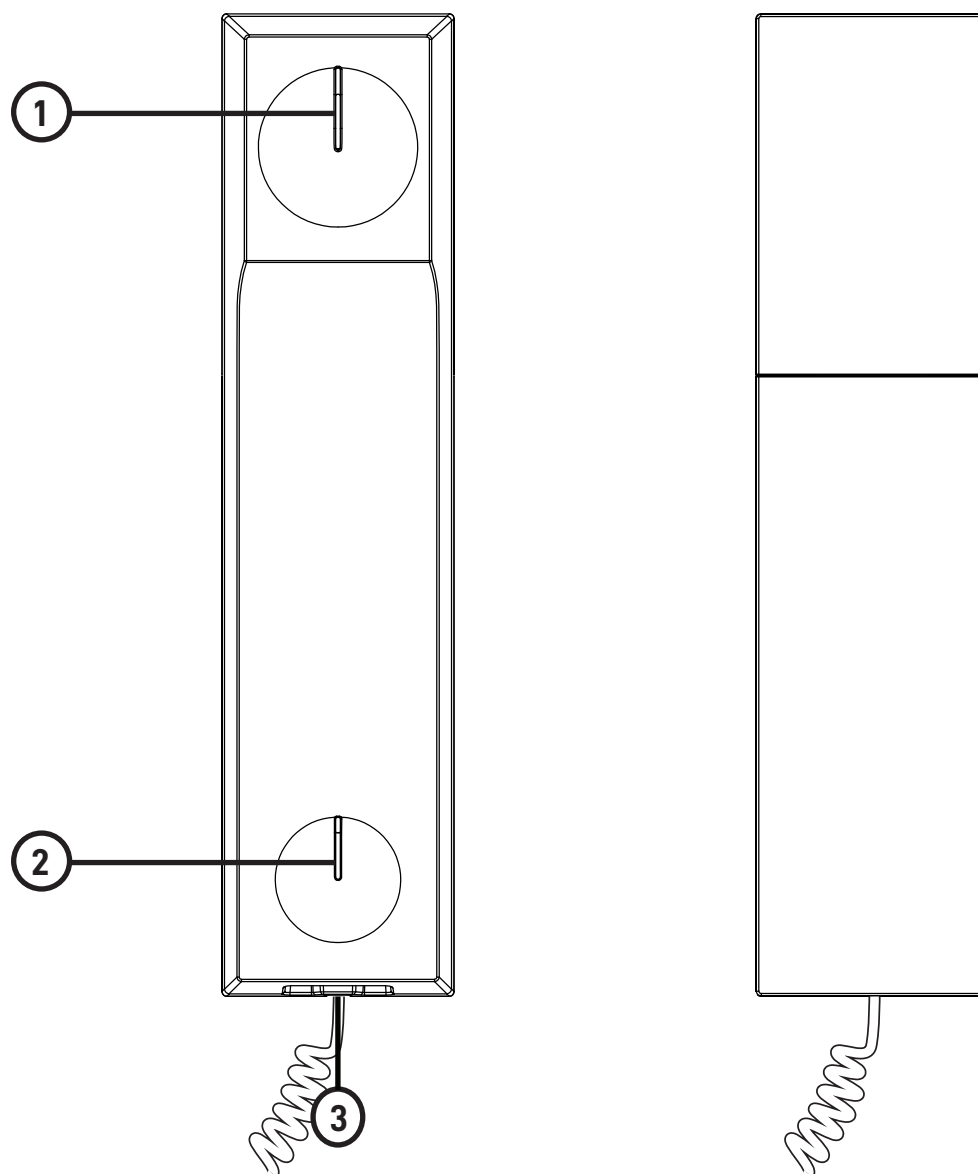


1	Message Waiting LED
2	Speed Dial keys
3	MUTE key
4	HOLD key
5	Numeric dial keys
6	Speaker key
7	VOLUME +
8	VOLUME -

9	Telephone line jack
10	Handset connector jack
11	Voicemail voltage detection

Telephone layout

CORDED HANDSET



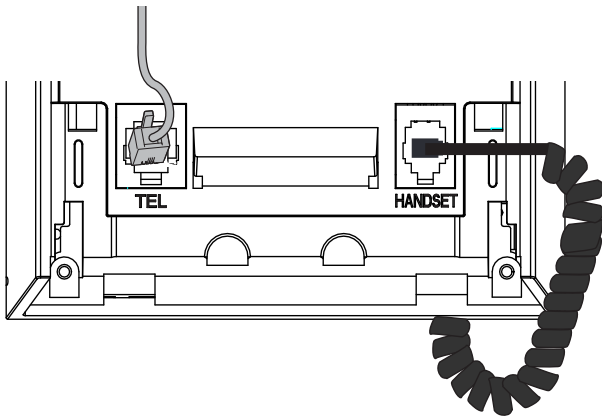
1	Earpiece
2	Microphone
3	Handset cord jack (in the handset's compartment)

Installation

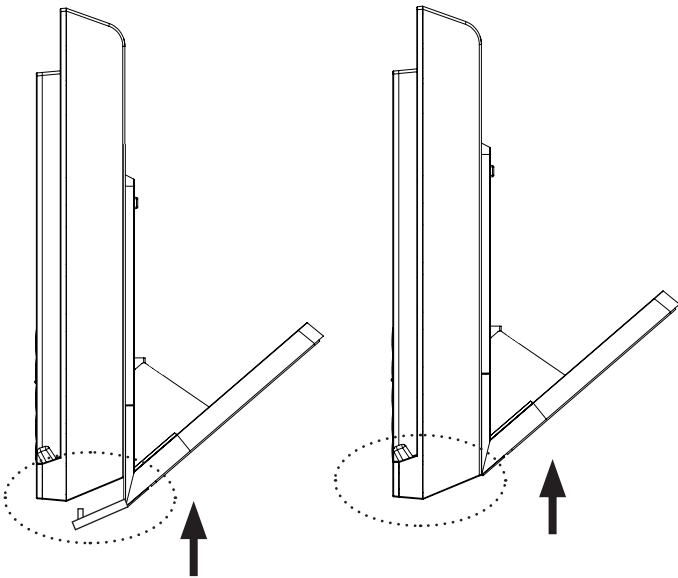
INSTALLATION OPTION - INSTALLING BASE STAND FOR DESKTOP

TO MOUNT THE TELEPHONE BASE ON THE BASE STAND

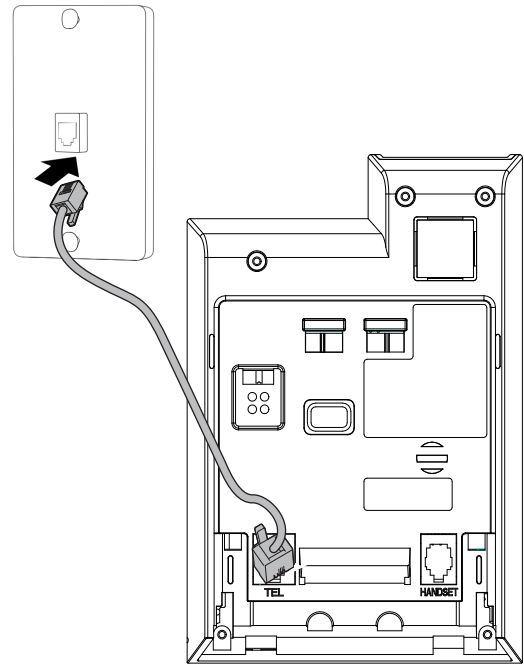
1. Turn the telephone base over with the bottom side facing up. Connect the coiled handset cord to the telephone base, and then connect the long telephone line cord as shown below.



2. Align the grooves of the base stand with the telephone base. Slide the base stand up to secure it.





3. Plug the other end of the telephone line cord to the telephone wall jack.



4. Place the handset on the telephone base cradle.

TO TEST YOUR INSTALLATION

Press  on the telephone base. Listen for a dial tone, and then press  again to hang up.

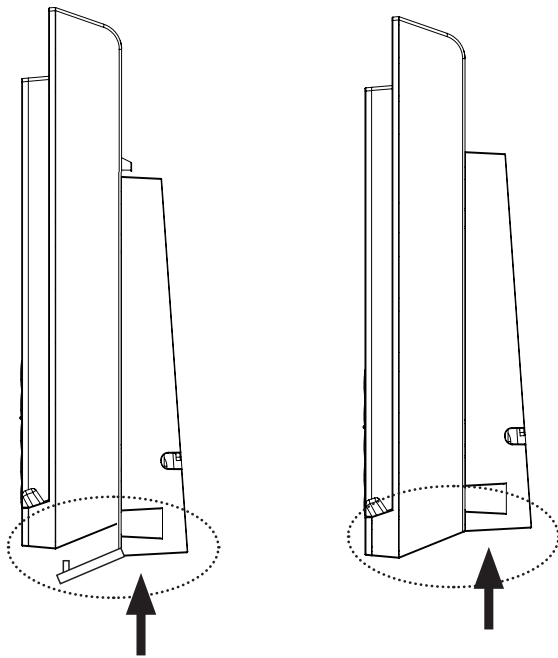
TO UNMOUNT THE BASE STAND

Simply slide the base stand down, and lift it from the telephone base.

INSTALLATION OPTION - CONVERTING FROM DESKTOP TO WALL MOUNT POSITION

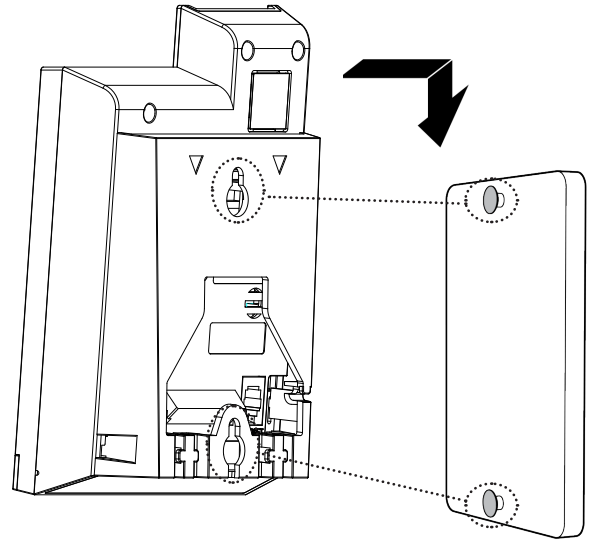
TO MOUNT THE TELEPHONE BASE ON THE WALL

1. Unmount the base stand from the telephone base. Put the corded handset aside.
2. Turn the telephone base over with the bottom side facing up. Align the grooves with the wall mount bracket. Slide the wall mount bracket up.



3. Connect the telephone as described in "Telephone base installation" on page 8, but connect the short telephone line cord instead. Place the cords in the associated cable ducts.

4. Mount the telephone base on the wall by positioning the eyelets on the telephone base and the mounting bracket against the mounting studs. Then slide the telephone base down on both mounting studs until it locks into place.

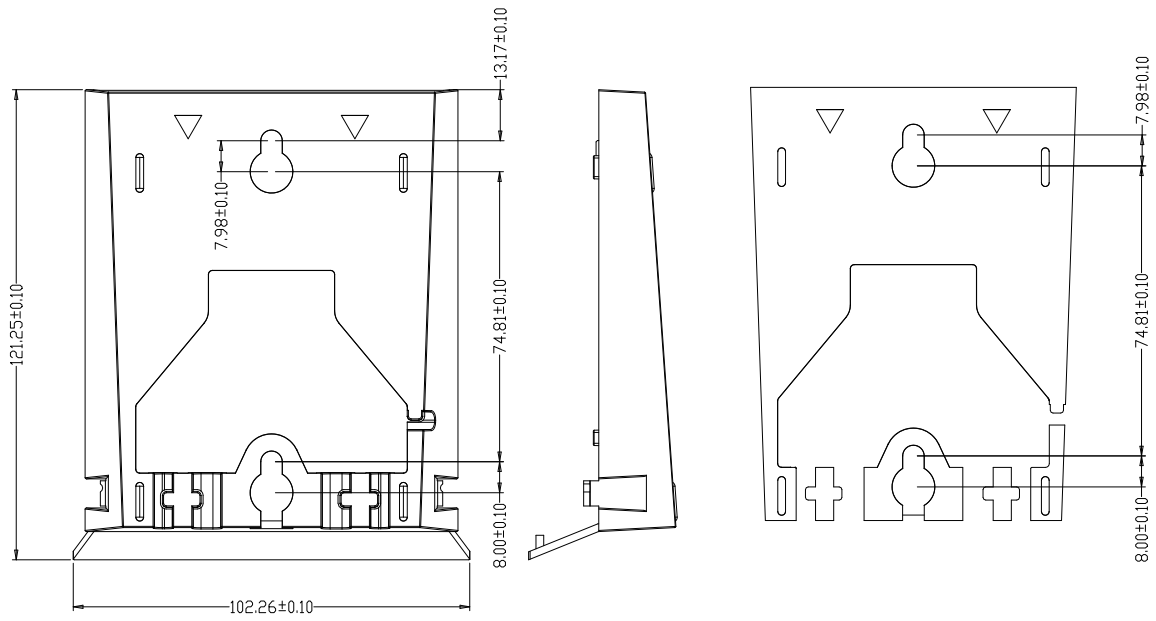


5. Replace the handset on the telephone base cradle.

TO REMOVE THE WALL MOUNT BRACKET FROM THE TELEPHONE BASE

Simply slide the wall mount bracket down and lift it from the telephone base.

Mounting bracket footprint dimension

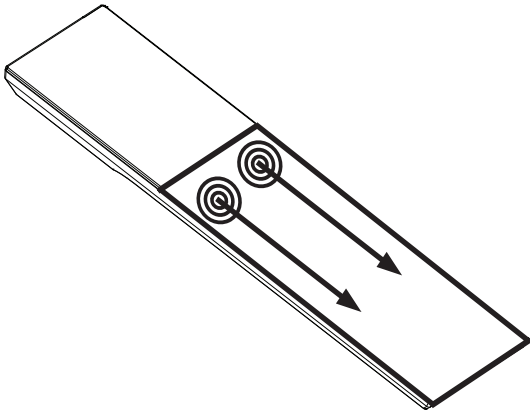


Unit: mm

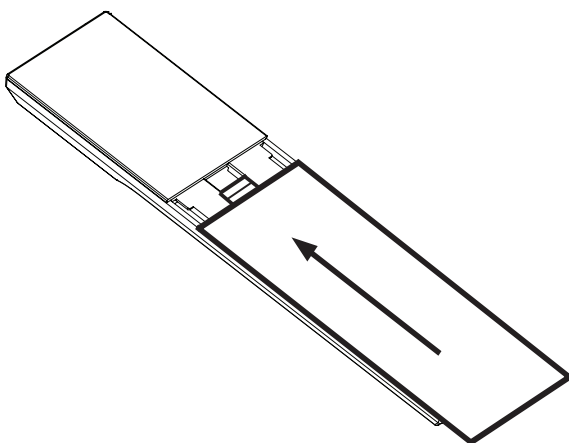
REPLACING COILED HANDSET CORD

To replace the coiled handset cord:

1. Hold the handset upside down.
2. Press both thumbs down on the edge of the handset back cover near the back of the earpiece, and slide the back cover upwards.



3. Lift the back cover off the handset.
4. Unplug the coiled handset cord from the handset cord jack.
5. Plug another coiled handset cord to the handset cord jack.
6. Align all the tabs on the handset cover against the corresponding grooves on the handset, then slide the handset cover closed.



INSTALLATION NOTES

⚠ Caution! Please be careful of sharp edges of base stand that can cause harm during the installation process.

Avoid placing the phone too close to:

- Communication devices such as television sets, DVD players, or other cordless telephones
- Excessive heat sources
- Noise sources such as a window with traffic outside, motors, microwave ovens, refrigerators, or fluorescent lighting
- Excessive dust sources such as a workshop or garage
- Excessive moisture
- Extremely low temperature
- Mechanical vibration or shock such as on top of a washing machine or work bench

Set up

Default settings are indicated by asterisks (*).

SETTING	OPTIONS	ADJUSTABLE BY
Handset earpiece volume	1, 2*, 3, 4	User and administrator
Speakerphone volume	1, 2, 3, 4, 5*, 6, 7, 8	User and administrator
Ringer volume	Low, Medium*, High	Administrator only
Ringer tone	Tone 1*, Tone 2, Tone 3	Administrator only
Voicemail voltage detection	Disable voicemail voltage detection, Periodic low voltage pulse detection method, Steady high voltage and periodic high voltage pulse detection method	Administrator only

RINGER TONE

There are 3 ringer tone options.

To change the ringer tone:

1. Turn the telephone base over with the bottom side facing up. Remove the mounting bracket if it is in desktop position. To remove the mounting bracket, firmly push both tabs downward and pull up until they release from the grooves.
2. Slide the ringer tone switch to select the desired detented position using a narrow object such as a standard screwdriver.
3. Install the mounting bracket accordingly.

Set up (Continued)

VOICEMAIL VOLTAGE DETECTION

There are 3 options to set the voicemail voltage detection at the bottom side of the telephone base.

To disable the voicemail voltage detection:

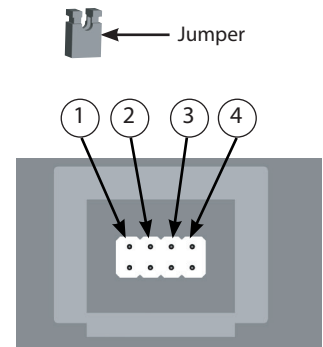
1. Use a narrow object to unplug all the jumpers from the telephone base.

To set the voicemail voltage detection by the periodic low voltage pulse detection method:

1. Use a narrow object to unplug all the jumpers from the telephone base. Then plug the jumpers into ①, ② and ③.

To set the voicemail voltage detection by the steady high voltage and periodic high voltage pulse detection method:


1. Use a narrow object to unplug all the jumpers from the telephone base. Then plug the jumpers into ①, ② and ④.



SPEED DIAL KEYS


There are up to 10 programmable guest-service (Speed Dial) keys, including **MESSAGE** and **EMERGENCY** speed dial keys. Program these keys to automatically dial telephone numbers or to activate telephone system features.

To program a Speed Dial key:

1. Remove the faceplate and overlay if they are on the telephone base. Press  on the telephone base or lift the handset. Then press the recessed **PROGRAM** key. The **MUTE** key flashes when in administrator mode.
2. Press the desired Speed Dial key where the telephone number is to be stored. You hear 3 beeps.
3. Enter the telephone number (up to 16 digits).
 - To insert a pause in the stored number, press the recessed **PAUSE** key.
4. The telephone stores the number automatically when 16 digits are entered. When the number has less than 16 digits, press the recessed **PROGRAM** key again. You hear 3 rising beeps as confirmation.

Set up (Continued)

To clear the programmed Speed Dial key:

1. Remove the faceplate and overlay if they are on the telephone base. Press  on the telephone base or lift the handset. Then press the recessed **PROGRAM** key. The **MUTE** key flashes when in administrator mode.
2. Press the Speed Dial key where the telephone number is to be deleted. You hear 3 beeps. Press the recessed **PROGRAM** key again. You hear 3 rising beeps as confirmation.

Operation



RECEIVE A CALL

When there is an incoming call, the telephone rings and the **MESSAGE WAITING LED** flashes.



To answer a call using the corded handset:

Lift the corded handset from the telephone base.


To answer a call using the telephone base:

On the telephone base, press . The  key illuminates when in speakerphone mode.

PLACE A CALL

Lift the corded handset or press  on the telephone base. Listen for a dial tone and then dial the desired number, or press a Speed Dial key to dial a programmed number. The  key illuminates when in speakerphone mode.

END A CALL

Place the corded handset in the telephone base, or press  when in speakerphone mode.

SPEED DIAL

To dial a speed dial number, press a speed dial key.

(FRONT DESK or EMERGENCY).

VOLUME

Listening volume can be adjusted from the telephone base.

To adjust the listening volume:

During a call, press **VOL +** or **VOL -** to adjust the listening volume. The next call returns to the default listening volume.


MUTE

To mute the microphone:


1. During a call, press **MUTE** on the telephone base. The **MUTE** key illuminates when the mute function is turned on. You can hear the party on the other end but they cannot hear you.
2. Press **MUTE** again to resume the conversation. The light on the **MUTE** key turns off.

HOLD


TO PLACE A CALL ON HOLD:

1. During a call, press **HOLD** on the telephone base to place that call on hold. The **HOLD** key flashes when the call is placed on hold.
2. To release the call from hold, press , **HOLD** or lift the handset from the telephone base cradle.


SPEAKERPHONE

During a call, press  on the telephone base to switch between speakerphone mode and handset earpiece mode.

MESSAGE WAITING INDICATOR

When a new voice message is received, the  flashes.

PLAY MESSAGES

1. When the phone is idle, press  .
The telephone base dials the voicemail access number.
2. Follow the voice prompts to play your messages.

Appendix

Troubleshooting

If you have difficulty with the telephones, please try the suggestions below.

FOR CORDED TELEPHONE

QUESTION	SUGGESTIONS
The telephone does not work at all.	<ul style="list-style-type: none">• Make sure the telephone line cord is plugged firmly into the telephone wall jack.• Disconnect the telephone base from the telephone wall jack and plug in a working telephone. If the other telephone does not work, the problem is probably in the wiring or telephone service. Contact your telephone service provider (charges may apply).
There is no dial tone.	<ul style="list-style-type: none">• Try all the above suggestions.• The telephone line cord may be defective. Install a new telephone line cord.• Disconnect the telephone base from the telephone wall jack and connect a different telephone. If there is no dial tone on this telephone either, the problem is in your wiring or telephone service. Contact your telephone service provider (charges may apply).

QUESTION

SUGGESTIONS

I cannot dial out.

- Try all the above suggestions.
- Make sure there is a dial tone before dialing.
- Eliminate any background noise. Mute the telephone before dialing, if applicable, or dial from another room in your unit with less background noise.
- If other telephones in your hotel are having the same problem, the problem is in the wiring or telephone service. Contact your telephone service provider (charges may apply).

The telephone does not ring when there is an incoming call.

- Make sure the telephone line cord is plugged in properly.
- If other telephones in your hotel are having the same problem, the problem is in the wiring or telephone service. Contact your telephone service provider (charges may apply).
- Test a working telephone at the telephone wall jack. If another telephone has the same problem, the problem is in the telephone wall jack. Contact your telephone service provider (charges may apply).
- The telephone line cord may be defective. Install a new telephone line cord.

QUESTION**SUGGESTIONS**

There is interference during a telephone conversation.

- If there is High Speed Internet Access (HSIA) available at the premises through a telephone line, you may need to install a DSL filter (DSL - digital subscriber line) between the telephone line cord and the telephone wall jack. The filter prevents noise and caller ID problems caused by DSL interference. Contact your DSL service provider for more information about DSL filters.
- If your telephone is plugged in with a modem or a surge protector, plug the telephone (or modem/surge protector) into a different location. If this doesn't solve the problem, relocate your telephone or modem farther apart from each other, or use a different surge protector.
- Disconnect the telephone base from the telephone wall jack. Plug in a different telephone. If calls are still not clear, the problem is probably in the wiring or telephone service. Contact your telephone service provider (charges may apply).
- If other telephones in your hotel are having the same problem, the problem is in the wiring or telephone service. Contact your telephone service provider (charges may apply).

I hear other calls when using the telephone.

- Disconnect the telephone base from the telephone wall jack. Plug in a different telephone. If you still hear other calls, the problem is probably in the wiring or telephone service. Contact your telephone service provider (charges may apply).
-

Maintenance

TAKING CARE OF YOUR TELEPHONE

Your telephone contains sophisticated electronic parts, so it must be treated with care.

AVOID ROUGH TREATMENT

Place the handset down gently. Save the original packing materials to protect your telephone if you ever need to ship it.

AVOID WATER

Your telephone can be damaged if it gets wet. Do not use the handset outdoors in the rain, or handle it with wet hands. Do not install the telephone base near a sink, bathtub or shower.

ELECTRICAL STORMS

Electrical storms can sometimes cause power surges harmful to electronic equipment. For your own safety, take caution when using electrical appliances during storms.

CLEANING YOUR TELEPHONE

Your telephone has a durable plastic casing that should retain its luster for many years. Clean it only with a soft cloth slightly dampened with water or mild soap. Do not use excess water or cleaning solvents of any kind.

REMEMBER THAT ELECTRICAL APPLIANCES CAN CAUSE SERIOUS INJURY IF USED WHEN YOU ARE WET OR STANDING IN WATER. IF THE TELEPHONE BASE SHOULD FALL INTO WATER, DO NOT RETRIEVE IT UNTIL YOU UNPLUG THE POWER CORD AND/OR TELEPHONE LINE CORD FROM THE WALL. THEN REMOVE THE TELEPHONE BY THE UNPLUGGED CORDS.

European Directives

This equipment is compliant with 2014/53/EU (RED) and 2011/65/EU (ROHS).

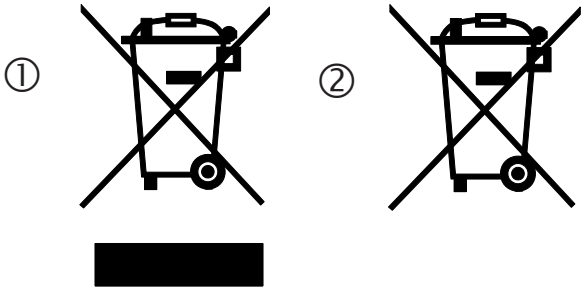
Declaration of Conformity

The Declaration of Conformity may be obtained from:
www.snom.com



Disposal of batteries and product

These symbols (①, ②) on the products, packaging, and/or accompanying documents mean that used electrical and electronic products and batteries must not be mixed with general household waste.



For proper treatment, recovery and recycling of old products and batteries, please take them to applicable collection points in accordance with your national legislation.

By disposing of them correctly, you will help to save valuable resources and prevent any potential negative effects on human health and the environment.

For more information about collection and recycling, please contact your local municipality. Penalties may be applicable for incorrect disposal of this waste, in accordance with national legislation.

PRODUCT DISPOSAL INSTRUCTIONS FOR BUSINESS USERS

If you wish to discard electrical and electronic equipment, please contact your dealer or supplier for further information.

INFORMATION ON DISPOSAL IN OTHER COUNTRIES OUTSIDE THE EUROPEAN UNION

These symbols (①, ②) are only valid in the European Union. If you wish to discard these items, please contact your local authorities or dealer and ask for the correct method of disposal.

NOTE FOR THE BATTERY SYMBOL

This symbol (②) might be used in combination with a chemical symbol. In this case it complies with the requirement set by the Directive for the chemical involved.

Technical specifications

HD350A - Analogue Cord Guestroom Phone

Power requirement	Line powered 24V or 48V (Loop Current: >18mA@Off-Hook mode)
Message waiting signal	Steady/periodic high voltage pulse or periodic low voltage pulse
Speed Dial memory	Telephone base: up to 10 memory locations; up to 16 digits
Size	Telephone base: 109.1 x 115.05 x 132.7 mm Corded handset: 203 x 48 x 20.5 mm
Manufacturer	Snom Technology GmbH, Berlin Germany

Index

- A**
 - Answer a call 15
- E**
 - End a call 15
- H**
 - Hold 15
- I**
 - Important safety instructions 2
 - Installation 8
 - Telephone base installation 8
- L**
 - Limited Warranty 19
 - Listening volume 15
- M**
 - Message Waiting LED 15
 - Mounting bracket footprint dimension 10
 - Mute 15
- P**
 - Place a call 15
 - Play messages 15
- R**
 - Receive a call 15
- S**
 - Speakerphone 15
 - Speed dial 15
- T**
 - Technical specification 23
 - Troubleshooting 16
- U**
 - Unhold 15
- V**
 - Voicemail 15
 - Volume 15
 - Listening 15
- W**
 - Wall mount 9
 - Warranty 19



snom

Specifications are subject to change without notice. Copyright © 2024 Snom Technology GmbH All rights reserved. 10/24.
HD350A_UM_V1_CEC_EU-UK_Oct2024